

CW Series Low-voltage Current Transformers (less than or equal to 1 100V)

CW-5LP/CW-15LP/CW-40LP Small current/Primary winding

Specifications

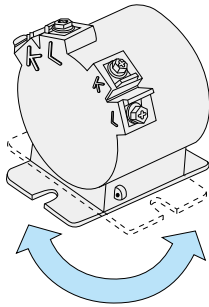
Applicable standard: JIS C 1731-1



Use

- General-use meters

Features



- The direction of the mounting plate can be turned 90°.
- Secondary terminal insulation cap (page 34) is available as an option.

Self-burden (VA)

	CW-5LP	CW-15LP	CW-40LP
Self-burden (VA)	3.5 (≤30A) 5.0 (40,50A)	5.0	6.5

Type	Rated primary current (A)		Rated burden (VA)	Accuracy (class)	Overcurrent strength (times)	Highest voltage/withstand voltage (kV)	Frequency (Hz)	External dimensions	Mass (kg)
	Secondary current 5A	Secondary current 1A							
CW-5LP	1	1	5	1.0	40	1.15/4/-	Both 50/60	Fig. 1	0.7
	2	2							
	3	3							
	5	5							
	7.5	7.5							
	10	10							
	15	15							
	20	20							
	25	25							
	30	30							
CW-15LP	1	1	15	1.0	40	1.15/4/-	Both 50/60	Fig. 2	1.1
	2	2							
	3	3							
	5	5							
	7.5	7.5							
	10	10							
	15	15							
	20	20							
	25	25							
	30	30							
CW-40LP	1	1	40	1.0	40	1.15/4/-	Both 50/60	Fig. 2	1.1
	2	2							
	3	3							
	5	5							
	7.5	7.5							
	10	10							
	15	15							
	20	20							
	25	25							
	30	30							
	40	40							1.2

Notes

*1 Withstand voltage value indicates commercial power frequency withstand voltage/lightning impulse withstand voltage.

*2 Product weight may vary due to changes in core characteristics.

External Dimensions

Fig. 1 CW-5LP (1 to 30A)

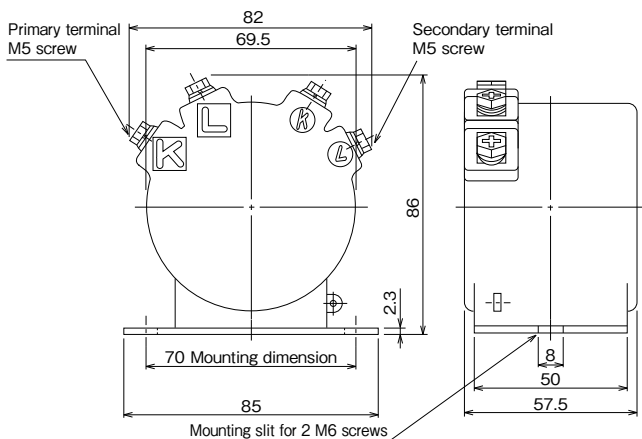


Fig. 2 CW-5LP (40, 50A), CW-15LP and CW-40LP

